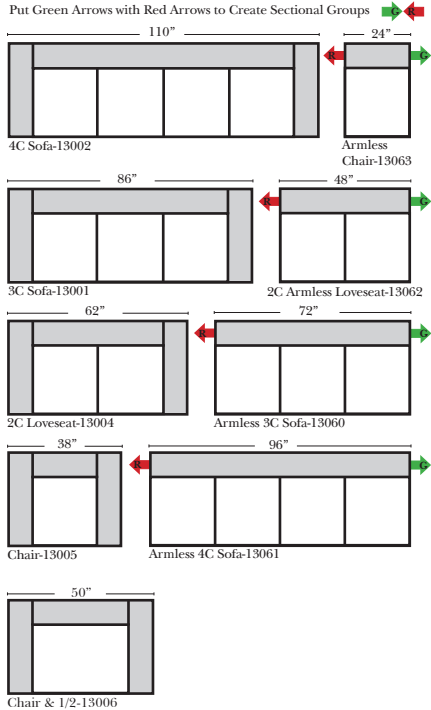
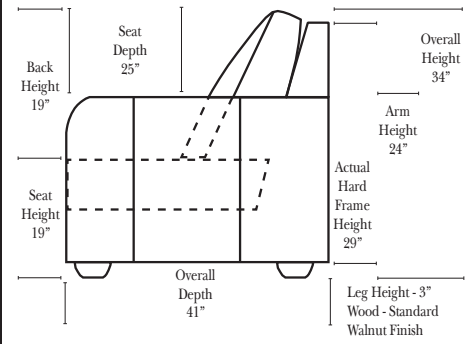
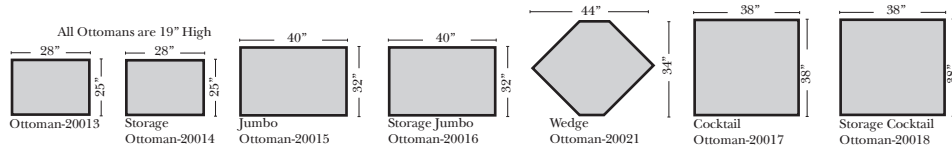


## Standard / Ottomans / Armless



## 2-Piece Curve Sectional

2-Piece Curve Sectional not available for this style



### Standard & options

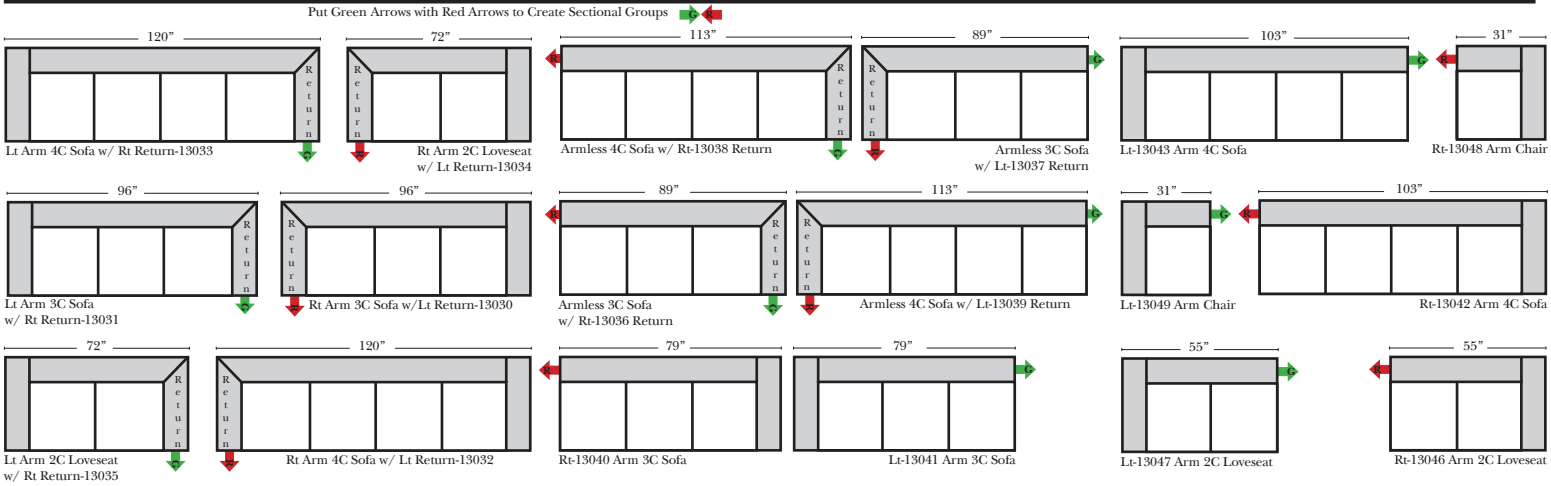
- Standard:**
- Available in Full & Top Grain Leathers
  - Available in Luxury Fabrics
  - All Hardwood Frames
  - Wood Leg Finish (Standard is Walnut)

- Options: (No Additional Charge)**
- No. 33 Firm Foam Cushions
  - Wood Leg Finish (Available in Cherry, Chocolate, Espresso, Honey Oak, & Shadow)

- Options: (additional Charge)**
- Down Seats & Down Backs
  - Upholstered Swivel Base (2 arm Chair Only)

## L-Shape / 90 Degree Sectional

(All 4 seat items ship as one piece if stationary, two pieces if motion installed)



### Sleeper Options: (All the below options are at additional charges)

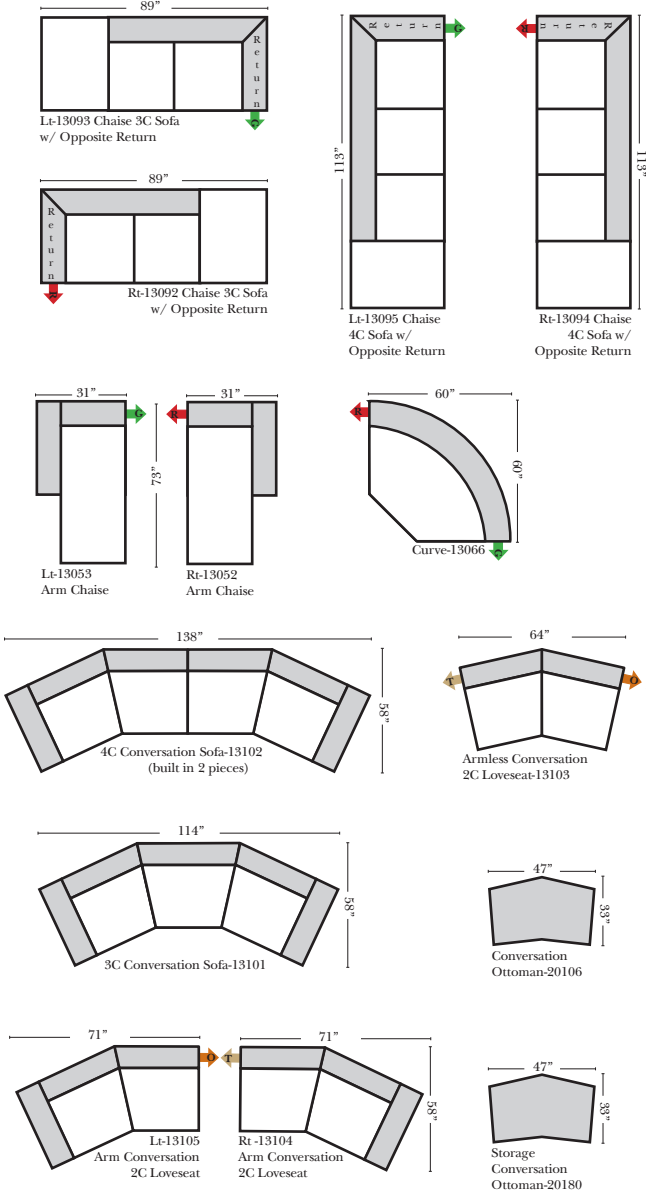
- Queen Sleeper available w/Standard Mattress
- Twin Sleeper available w/Standard Mattress
- Deluxe Innerspring Mattress: Queen / Twin
- Air Dream Coil Mattress: Queen Only - (No Twin)
- Hideaway Air Mattress: Queen Only (Shipped in a Separate Box)



**Note:**  
 All Dimensions are approximate, if accuracy is crucial, please contact us for validation of the dimensions shown. However, a 1" to 2" variance can still apply due to foam and upholstery.

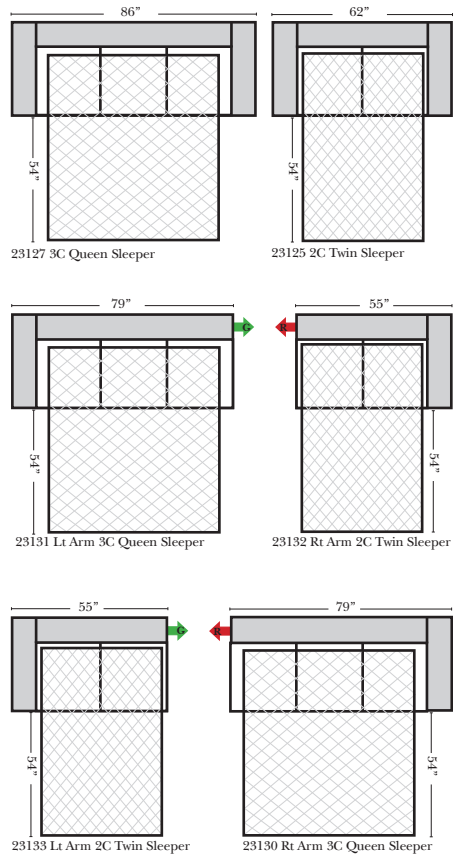
## Bumper / Return Chaise & Conversation Sofas

Put Green Arrows with Red Arrows to Create Sectional Groups  
Put Orange Arrows with Tan Arrows to Create Sectional Groups



## Sleepers

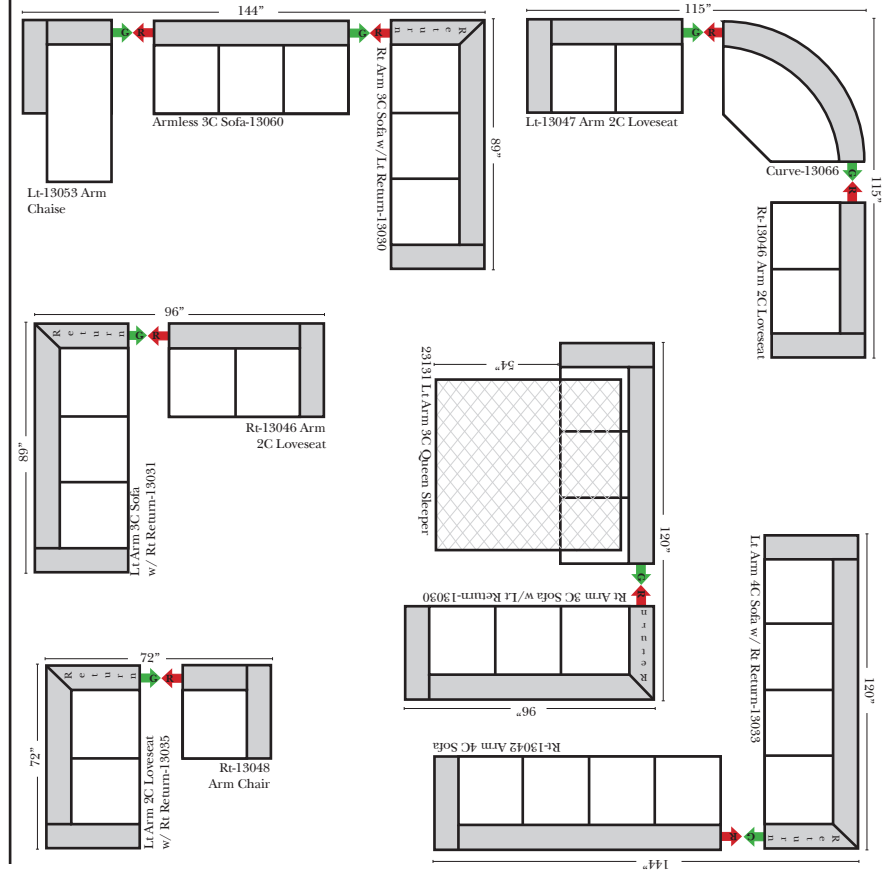
Put Green Arrows with Red Arrows to Create Sectional Groups  
Put Blue Arrows with Yellow Arrows to Create Sectional Groups



## Suggested Configurations

v.03.02.15

The Suggested Configurations below are only a sample of what the imagination can create, please enjoy creating the configuration that fits your lifestyle, using the items below and from the items on the opposite page.



## Sleepers (Cont.)